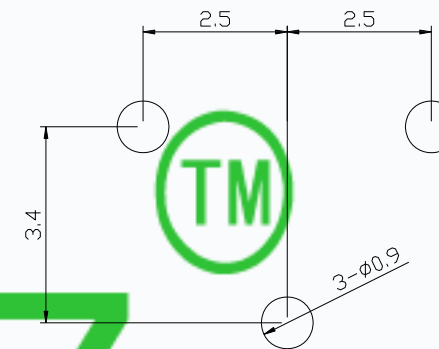
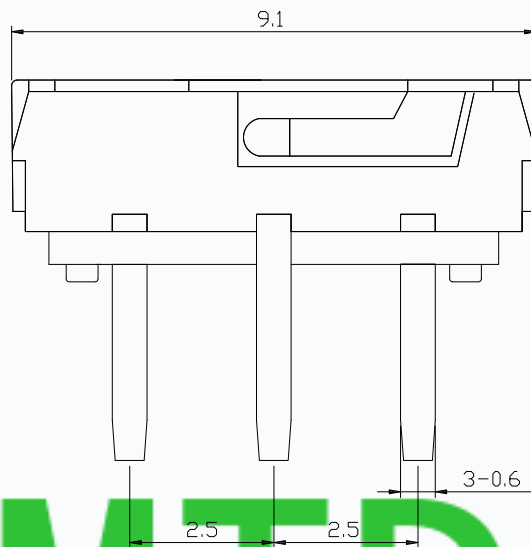
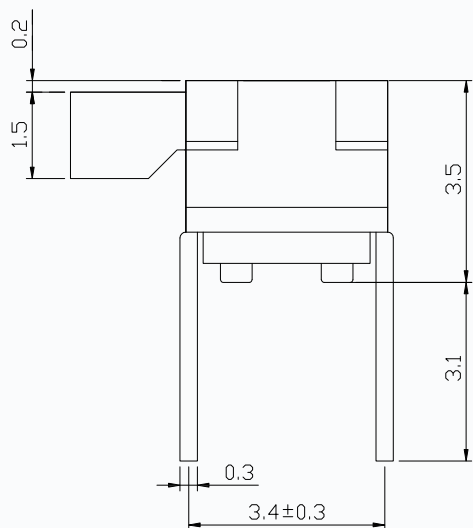
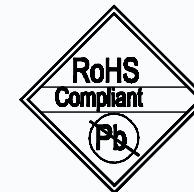


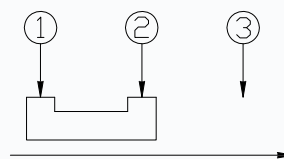
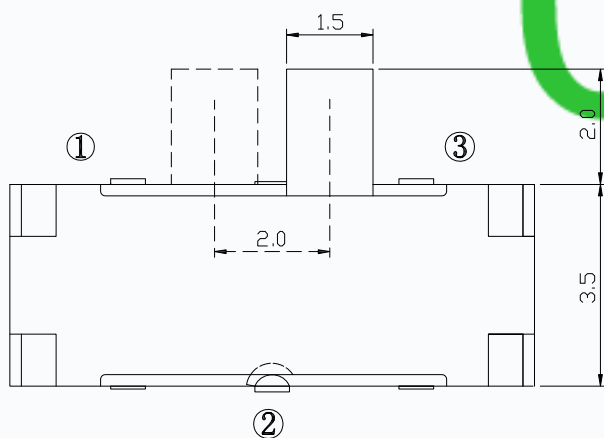
CAD FILE:

MODEL NO.	KNOB(G)
T1-1210D-G	(2~5)mm



P.C.B LAND PATTERN

CMTDDZ



CIRCUIT DIAGRAM

SPECIFICATIONS

Rating	0.3A 6V DC
Insulation Resistance	> 100 MΩ
Dielectric Withstanding Voltage	500V 0.5mA/min
Contact Resistance	< 70 mΩ
Operating Force	200gf ± 100gf
Operating Life	10,000 cycles

8				
7				
6				
5	CLIP	BECU	1	Ag PLATED
4	TERMINAL	PHOSPHOR BRONZE	3	Ag PLATED
3	CASE	PA46	1	BLACK
2	COVER	SUS	1	Nature
1	SLIDER	PA46	1	BLACK
NO.	PARTS	MATERIALS	Q'TY	FINISH

TOLERANCE UNLESS SPECIFIED				
WITHIN 1.5mm : ±0.1mm		A	2014-8-31	TIANDU ELECTRONICS
OVER 1.5mm : ±0.2mm		ISSUE	DATE	DESCRIPTIONS OF REVISION APPD.
TITLE : MINI SLIDE SWITCH			UNIT : mm	DRWG NO.:CMTDDZ-T1-1210D-00
MODEL: T1-1210D-G			SCALE:3:1	DWN, ERIC 2014-8-31
CMTDDZ 东莞市田都电子有限公司			CHK'D MAIKO	2014-8-31
DONGGUAN TIANDU ELECTRONICS CO.,LTD.			APPD Coco	2014-8-29